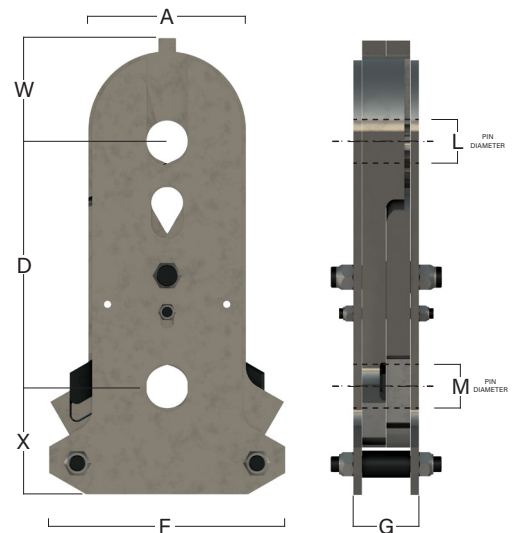


# DETACHING HOOKS

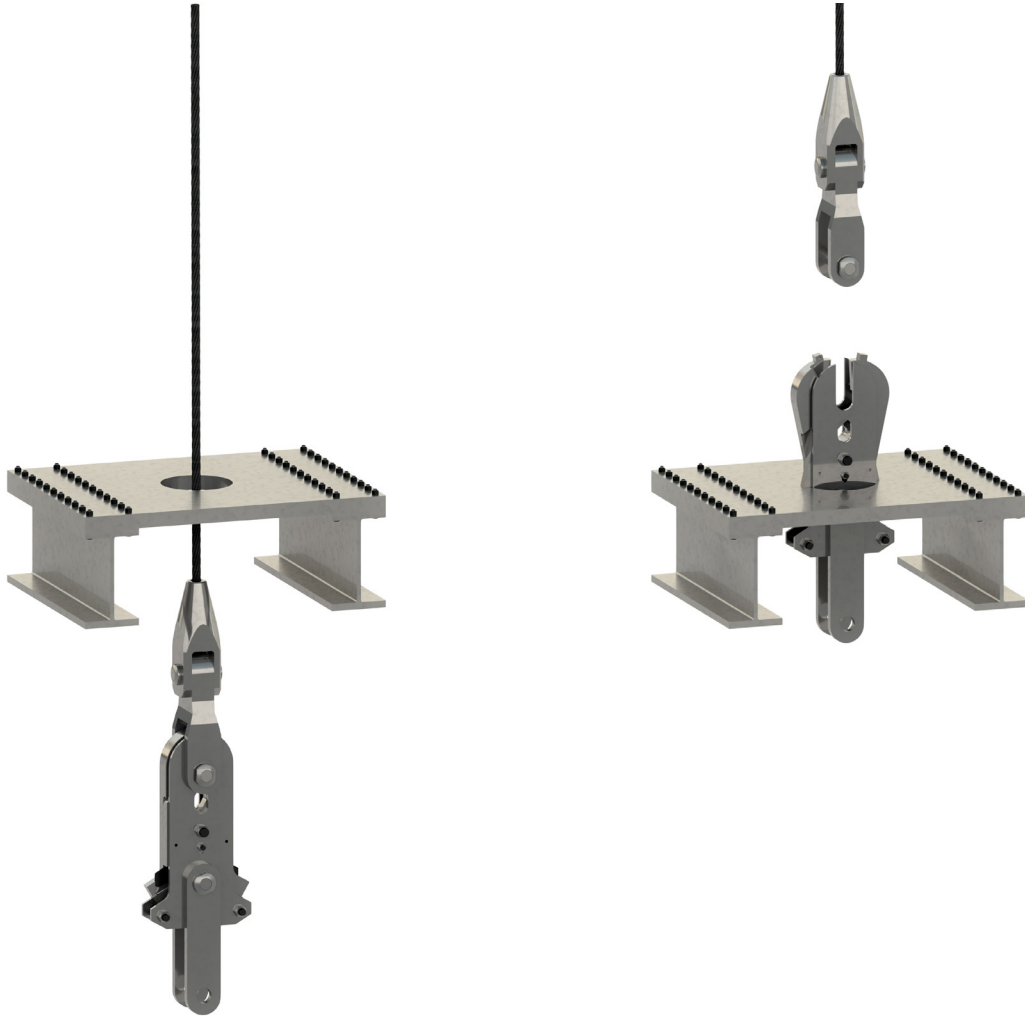


## DIMENSIONS & DATA

SAFE WORKING LOAD SF = 10:1	A	W	D	X	F	G	L	M	APPROX WEIGHT
	mm	mm	mm	mm	mm	mm	mm	mm	kg
kgf									
4064	152	89	336	89	228	64	38	41	33
5080	178	102	387	108	267	76	45	48	51
6604	203	121	441	117	305	82	48	51	70
8128	228	133	483	136	343	89	51	57	98
10160	254	149	559	152	381	102	57	60	163
12192	254	149	559	152	381	114	60	64	166
15240	305	171	616	165	457	114	70	76	216
20320	305	171	628	165	457	140	82	86	265
25400	356	197	559	241	533	140	82	82	297
30480	356	203	559	241	533	146	92	92	317
35560	356	209	590	241	533	159	98	98	365



# CATCHPLATES



## DIMENSIONS & DATA

SAFE WORKING  
LOAD  
SF = 10:1

	N	O	P	Q
kgf	mm	mm	mm	mm
4064	26	762	457	156
5080	29	838	533	182
6604	32	838	610	208
8128	35	838	610	233
10160	38	914	686	259
12192	45	914	686	259
15240	51	914	686	311
20320	64	914	686	311
25400	70	TO SUIT	TO SUIT	364
30480	76	TO SUIT	TO SUIT	364
35560	89	TO SUIT	TO SUIT	364

